



**JWSS-18B**

**Scroll Saw**

**JWSS-18B...727300BM...**

**1~ 230V, 50Hz**

## **PARTS LIST**

**JPW (Tool) AG**

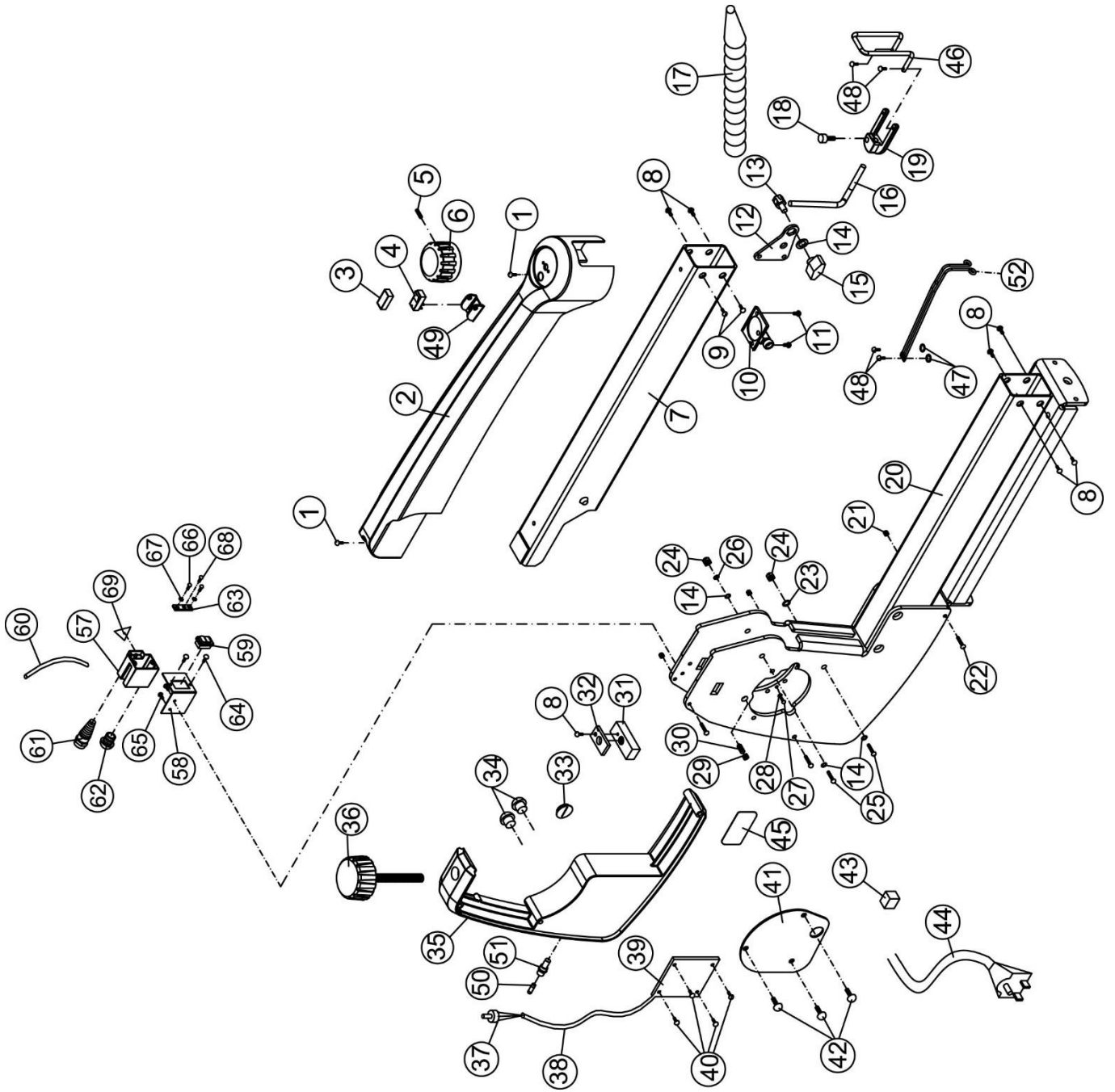
Ackerstrasse 45, CH-8610 Uster, Switzerland

[www.jettools.com](http://www.jettools.com)

P-727300M 2019-05

**JWSS-18B Upper & Lower Arm Assembly – Exploded View**





## JWSS-18B Upper & Lower Arm Assembly – Parts List

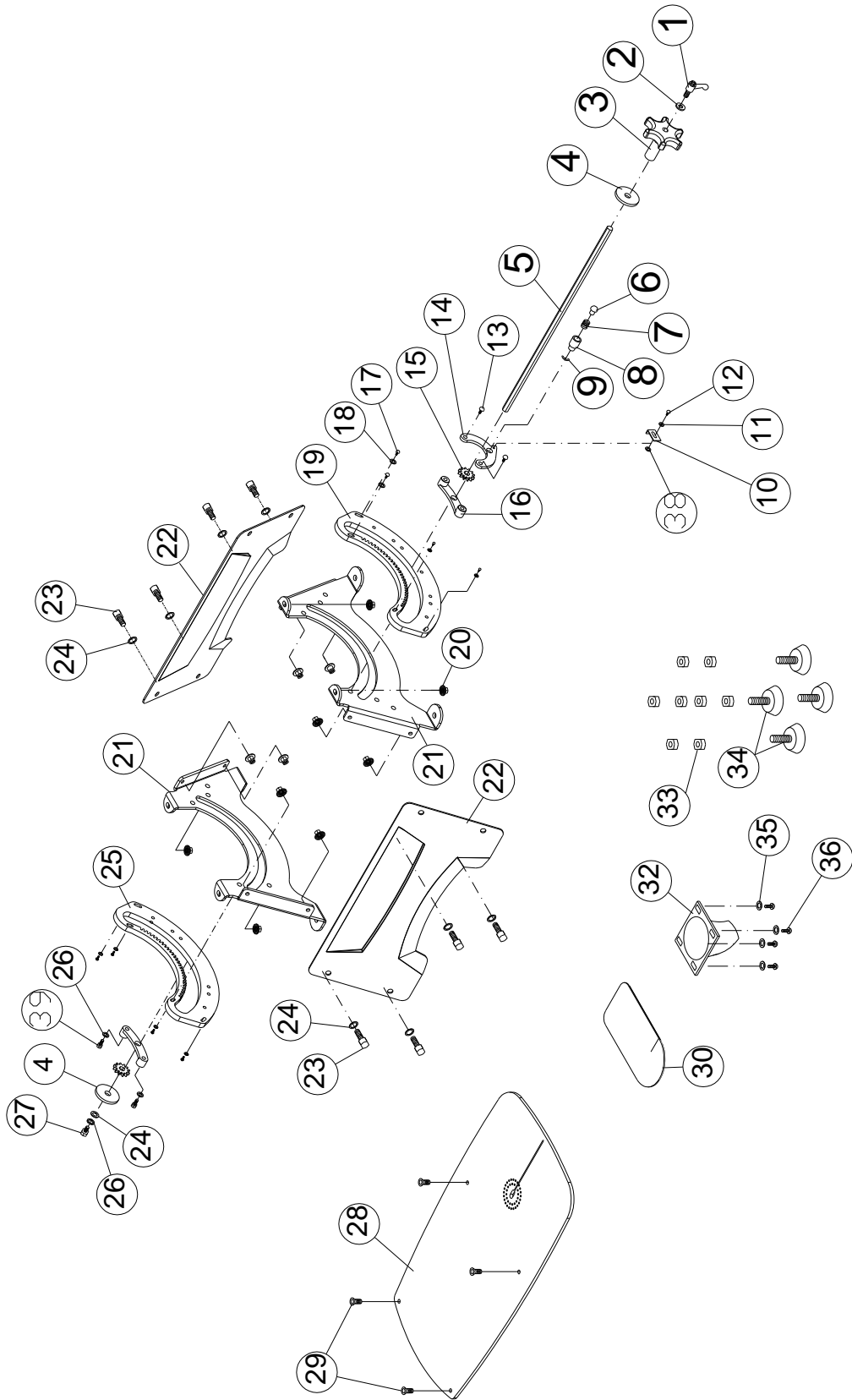
Index No	Part No	Description	Size	Qty
1.....	F009668.....	Button Head Socket Screw .....	#10-32x1/4 .....	2
2.....	JWSS18B-202.....	Top Cover .....		1
3.....	JWSS18B-203.....	Switch Rubber Cover .....		1
4.....	JWSS22B-204.....	Switch .....		1
5.....	TS-1521031.....	Socket Set Screw .....	M4x8 .....	1
6.....	JWSS22B-206.....	VR Knob with Speed Label.....		1
7.....	JWSS18B-207.....	Upper Arm.....		1
8.....	F009916.....	Button Head Socket Screw .....	#10-32x5/16 .....	7
9.....	F009670.....	Button Head Socket Screw .....	#10-32x3/8 .....	2
10.....	JWSS22B-210.....	Dust Blower .....		1
11.....	TS-081B022 .....	Pan Head Screw.....	#8-32x3/8 .....	2
12.....	JWSS22B-212.....	Hold Down Mount Plate.....		1
13.....	JWSS22B-213.....	Hold Down Clamp Screw .....		1
14.....	TS-0680021.....	Flat Washer .....	1/4" .....	4
15.....	JWSS22B-215.....	Hold Down Clamp Knob .....		1
16.....	JWSS22B-216.....	Hold Down Bar .....		1
17.....	JWSS22B-217.....	Air Nozzle .....		1
18.....	TS-0206022.....	Socket Head Cap Screw .....	#10-32x1/2 .....	1
19.....	JWSS22B-219.....	Hold Down Fork.....		1
20.....	<b>JWSS18B-220E</b> .....	Main Body .....		1
21.....	.5508073 .....	Hex Nylon Lock Nut .....	#10-32 .....	3
22.....	F009917.....	Button Head Socket Screw .....	#10-32x2-1/4.....	3
23.....	TS-0680021.....	Flat Washer .....	1/4 .....	1
24.....	TS-0640071.....	Hex Nylon Lock Nut .....	1/4-20.....	2
25.....	F009918.....	Button Head Socket Screw .....	1/4-20x2-1/2 .....	2
26.....	TS-130205.....	Lock Washer .....	1/4 .....	1
27.....	TS-081B012 .....	Phillips Pan Head Machine Screw .....	#8-32x1/4 .....	2
28.....	TS-0720041.....	External Tooth Lock Washer.....	#8.....	2
29.....	TS-0561031.....	Hex Nut.....	3/8-16.....	1
30.....	JWSS22B-230.....	Ball Set Screw .....	3/8-16x5/8.....	1
31.....	JWSS22B-231.....	Housing Cross Block .....		1
32.....	JWSS22B-232.....	Cross Block Retainer.....		1

33.....	JWSS22B-233.....	Cap .....	1	
34.....	JWSS22B-234.....	Strain Relief .....	2	
35.....	JWSS22B-235.....	Control Box.....	1	
36.....	JWSS22B-236.....	Arm Adjustment Knob.....	1	
.....	<b>JWSS22B-237AE</b> .....	PC Board with VR (#37,38,39) .....	1	
37.....	.....	Variable Resistor .....	1	
38.....	.....	Control Cable.....	1	
39.....	<b>JWSS22B-239E</b> .....	PC Board.....	1	
40.....	JWSS22B-240.....	Machine Screw .....	M4x8 .....	4
41.....	JWSS22B-241.....	Cover Plate .....	1	
42.....	TS-0254021.....	Button Head Socket Screw .....	1/4-20x1/2.....	3
43.....	JWSS22B-243.....	Sponge Block .....	1	
44.....	<b>JWSS22B-244E</b> .....	Power Cord.....	3x18AWG .....	1
45.....	JET-92 .....	JET Logo.....	92x38mm .....	1
46.....	JWSS22B-246.....	Upper Blade Guard.....	1	
47.....	TS-2361041.....	Lock Washer .....	M4 .....	2
48.....	TS-081B022 .....	Phillips Pan Head Machine Screw .....	#8-32x3/8 .....	2
49.....	JWSS22B-249.....	Switch Protector.....	1	
<b>50.....</b>	<b>JWSS22B-250E.....</b>	<b>Fuse .....</b>	<b>5 A .....</b>	<b>1</b>
51.....	JWSS22B-251.....	Fuse Holder .....	1	
52.....	JWSS22B-252.....	Lower Blade Guard.....	1	
55.....	LM000188E.....	Warning Label (not shown) .....	49x100mm .....	1
56.....	<b>LM000337E</b> .....	ID Label, JWSS-18B (not shown).....	1	
57.....	JWL1015-168.....	Switch Box .....	1	

<b>Index No</b>	<b>Part No</b>	<b>Description</b>	<b>Size</b>	<b>Qty</b>
58.....	<b>JWSS22B-258E</b> .....	Bracket .....		1
59.....	<b>JWSS22B-259E</b> .....	Magnetic Switch.....		1
60.....	<b>JWSS22B-260E</b> .....	Connection Cable .....		1
61.....	<b>JWSS22B-261E</b> .....	Cable Protector .....		1

62.....	JML-70E .....	Strain Relief .....	PG 9 .....	1
63.....	JWL1015-171 .....	Ground Plate .....		1
64.....	TS-081C022 .....	Pan Head Screw.....	#10-24x3/8" .....	2
65.....	TS-1533032.....	Pan Head Screw.....	M5x10 .....	2
66.....	JWSS22B-266E.....	Pan Head Screw.....	M5x6 .....	2
67.....	TS-0733041.....	External Tooth Lock Washer.....	1/4" .....	2
68.....	JWL1015-163 .....	Tapping Screw .....	M3.5x6mm .....	1
69.....	.3520A-289E .....	Warning Label .....		1
70.....	JWSS22B-267.....	Cable, Main Switch to PCB (not shown) .....		1

# JWSS-18B Table & Cabinet Assembly – Exploded View



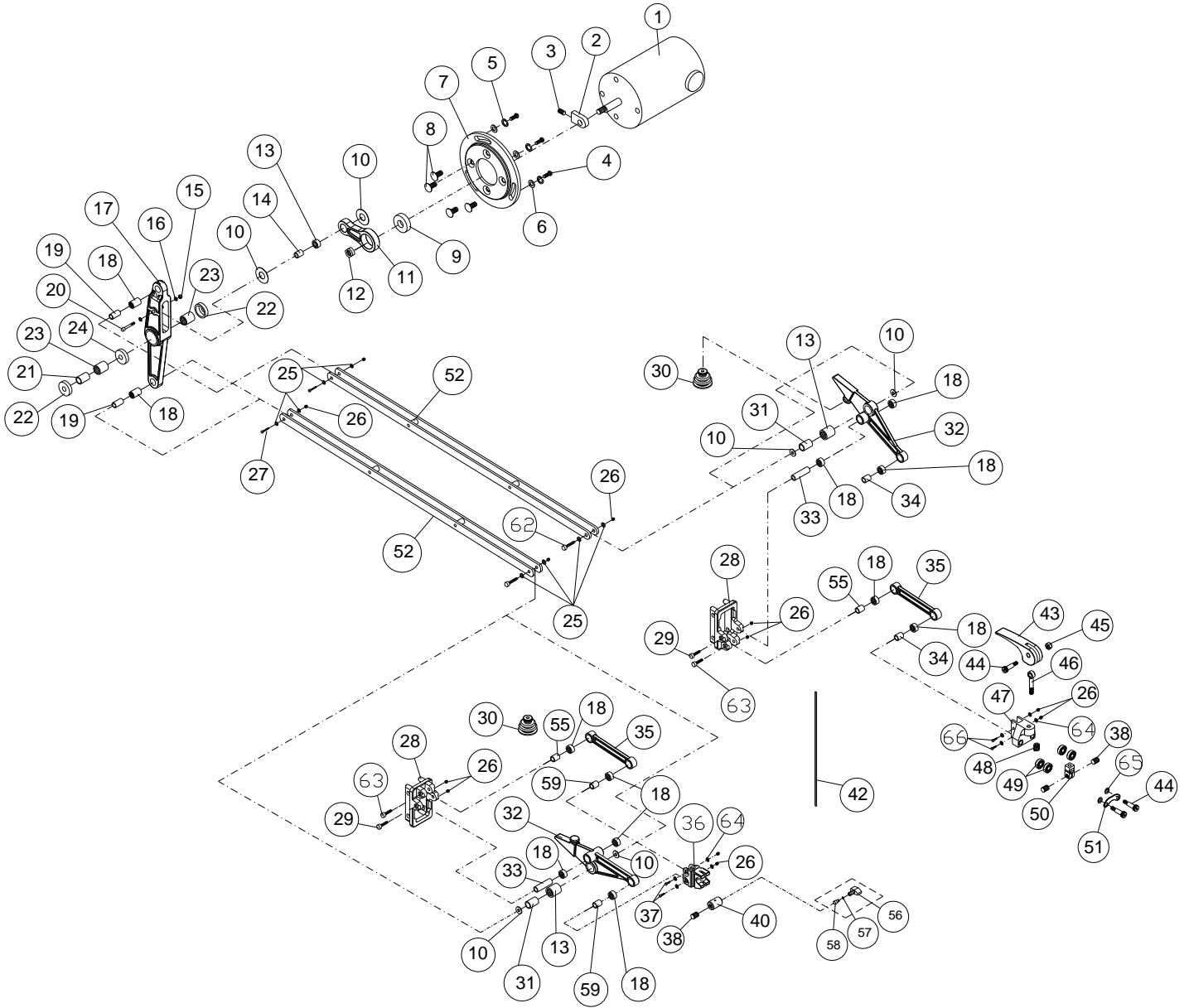
## JWSS-18B Table & Cabinet Assembly – Parts List

Index No	Part No	Description	Size	Qty
1.....	JWSS22B-301.....	Blade Tilt Locking Lever .....		1
2.....	TS-0680021.....	Flat Washer .....	1/4.....	1
3.....	JWSS22B-303.....	Tilt Adjust Knob .....		1
4.....	JWSS22B-304.....	Blade Tilt Washer .....		2
5.....	JWSS18B-305.....	Tilt Lock Draw Rod.....		1
6.....	JWSS22B-306.....	Detent Plunger .....		1
7.....	JWSS22B-307.....	Spring .....		1
8.....	JWSS22B-308.....	Tilt Detent Barrel.....		1
9.....	JWSS22B-309.....	E-Ring .....	ETW-3 .....	1
10.....	JWSS22B-310.....	Pointer.....		1
11.....	TS-1550021.....	Flat Washer .....	M4 .....	1
12.....	TS-2284061.....	Phillips Pan Head Machine Screw .....	M4x6 .....	1
13.....	TS-0254061.....	Button Head Socket Screw .....	1/4-20x1 .....	2
14.....	JWSS22B-314.....	Angle Indicator Bracket .....		1
15.....	JWSS22B-315.....	Blade Tilt Drive Gear.....		2
16.....	JWSS22B-316.....	Angle Follower.....		2
17.....	F009916.....	Button Head Socket Screw .....	#10-32x5/16 .....	8
18.....	TS-069204.....	Flat Washer .....	#10x12x1 .....	8
19.....	JWSS22B-319.....	Front Trunnion Plate .....		1
20.....	JWSS22B-320.....	Hex Flange Nut .....	1/4-20UNC.....	12
21.....	JWSS22B-321.....	Trunnion.....		2
22.....	JWSS18B-322.....	Side Panel.....		2
23.....	TS-0254041.....	Button Head Socket Screw .....	1/4-20x3/4.....	8
24.....	TS-0680021.....	Flat Washer .....	1/4.....	9
25.....	JWSS22B-325.....	Rear Trunnion Plate.....		1
26.....	TS-0720071.....	Lock Washer .....	1/4.....	3
27.....	TS-0050011.....	Hex Cap Screw .....	1/4-20x1/2.....	1
28.....	JWSS18B-328.....	Table.....		1
29.....	TS-0245041.....	Socket Head Flat Screw .....	1/4-20x3/4.....	4
30.....	JWSS18B-330.....	Dust Collect Plate .....		1
32.....	JWSS18B-332.....	Dust Port .....	1-1/2 OD.....	1
33.....	TS-0561082.....	Hex Nut.....	3/8-16.....	8



34.....	JWSS22B-334.....	Leveling Foot .....	3/8-16x1-1/4 .....	4
35.....	TS-0692031.....	Flat Washer .....	#8.....	4
36.....	F009924.....	Button Head Socket Screw .....	#8-32x5/16 .....	4
38.....	TS-0720051.....	External Tooth Washer.....	M4 .....	1
39.....	TS-0050031.....	Hex Cap Screw .....	1/4-20x3/4.....	2
.....	JWSS22B-335.....	Blade Rack (Option, not shown).....		1

# JWSS-22B Drive Link Assembly – Exploded View



## JWSS-18B Drive Link Assembly – Parts List

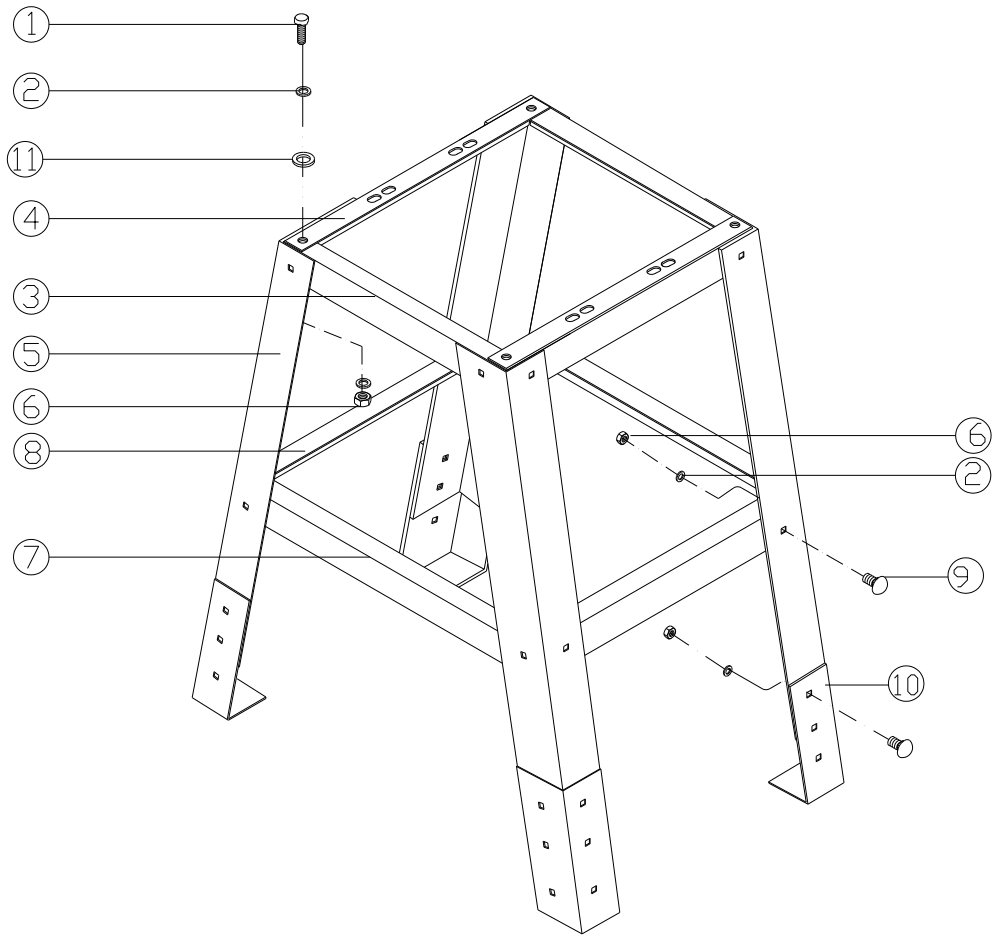
Index No	Part No	Description	Size	Qty
1.....	JWSS22B-401E	Motor .....		1
.....	JWSS22B-MCB	Motor Carbon Brush (not shown) .....		2
.....	JWSS22B-MCBC	Motor Carbon Brush Cap (not shown) .....		2
.....	LM000190E	Motor Label, (not shown).....		1
2.....	JWSS22B-402	Balance Block .....		1
3.....	TS-1523011	Socket Set Screw .....	M6x6 .....	1
4.....	TS-0254021	Button Head Socket Screw .....	1/4-20x1/2.....	3
5.....	TS-0720071	Lock Washer .....	1/4 .....	3
6.....	TS-0680021	Flat Washer .....	1/4 .....	3
7.....	JWSS22B-407	Motor Cover Plate .....		1
8.....	TS-1514021	Socket Head Flat Screw .....	M6x16 .....	4
.....	JWSS18B-CDLA	Complete Drive Link Assembly (#9 thru 27, #52) .....		1
9.....	BB-608ZZ	Ball Bearing.....	608ZZ.....	1
10.....	TS-1550061	Flat Washer .....	M8 .....	6
11.....	JWSS22B-411	Motor Cam .....		1
12.....	JWSS22B-412	Nut.....	M8xP1.25LH .....	1
13.....	JWSS22B-413	Bearing .....	810.....	3
14.....	JWSS22B-414	Inner Bearing Sleeve.....	Ø8.046x21.5mm .....	1
15.....	TS-1541011	Hex Nylon Lock Nut .....	M5 .....	1
16.....	TS-1550031	Flat Washer .....	M5 .....	2
17.....	JWSS22B-417	Rocker Cam .....		1
18.....	JWSS22B-418	Bearing .....	0609 .....	12
19.....	JWSS22B-419	Inner Bearing Sleeve (Long).....	Ø6.03x16.5mm .....	2
20.....	F005667	Socket Head Cap Screw .....	M5x28 .....	1
21.....	JWSS22B-421	Main Rocker Pivot .....	Ø14.04x35.50mm .....	1
22.....	JWSS22B-422	Bearing Cover .....		2
23.....	JWSS22B-423	Bearing .....	1412 .....	2
24.....	JWSS22B-424	Bushing.....		1
25.....	TS-1550021	Flat Washer .....	M4 .....	8
26.....	TS-1541001	Hex Nylon Lock Nut .....	M4 .....	12
27.....	TS-1501071	Socket Head Cap Screw .....	M4x25 .....	6

28.....	JWSS22B-428.....	Rocker Mount.....		2
29.....	F005359.....	Socket Head Cap Screw.....	M4x45.....	2
30.....	JWSS22B-430.....	Air Pump Bellows.....		2
31.....	JWSS22B-431.....	Inner Bearing Sleeve – Front Rocker.....	Ø8.03x18.40mm.....	2
32.....	JWSS22B-432.....	Front Rocker.....		2
33.....	JWSS22B-433.....	Inner Bearing Sleeve (Long).....	Ø6.03x37mm.....	2
34.....	JWSS22B-434.....	Inner Bearing Sleeve.....	Ø6.03x16mm.....	2
35.....	JWSS22B-435.....	Strut.....		2
.....	JWSS22B-NLBCK.....	New Lower Blade Chuck Kit (#26,36,37,59,64).....		1
<i>Serial no. 18010446 and higher</i>				
36.....	JWSS22B-436A.....	Lower Blade Chuck with Magnet.....		1
37.....	F005668.....	Socket Head Cap Screw.....	M4x22.....	2
38.....	JWSS22B-438.....	Set Screw.....	M6x5.....	5
.....	727201.....	Lower Blade Holder Assembly (#38, 40, 56 thru 58), set of 3.....		1
40.....	JWSS22B-440.....	Lower Blade Holder.....		2
42.....	JWSS22B-442.....	Blade.....	0.36mm (t) x 1.1mm (W) x 130mm (L) x 11 TPI.....	5
43.....	JWSS22B-443.....	Tension Lever.....		1
44.....	JWSS22B-444.....	Screw.....		3
45.....	TS-1541011.....	Hex Nylon Lock Nut.....	M5.....	1
46.....	JWSS22B-446.....	Bolt.....		1
47.....	JWSS22B-447.....	Upper Blade Chuck.....		1
48.....	JWSS22B-448.....	Spring.....		1
49.....	JWSS22B-449.....	Bearing.....	R4ZZ.....	4
50.....	JWSS22B-450.....	Blade Clamp Assembly (includes #38).....		1
51.....	JWSS22B-451.....	Plate.....		1
52.....	JWSS18B-452.....	Drive Link Assembly.....		2

<b>Index No</b>	<b>Part No</b>	<b>Description</b>	<b>Size</b>	<b>Qty</b>
55.....	JWSS22B-455.....	Inner Bearing Sleeve (Short).....	Ø6.03x21mm.....	2
.....	JWSS22B-TSA.....	Thumb Screw Assembly (#56 thru 58).....		1
56.....	JWSS22B-456.....	Thumb Screw.....		1

57.....	JWSS22B-457.....	O-Ring.....	.....	1
58.....	JWSS22B-458.....	Press Bar.....	.....	1
59.....	JWSS22B-459A .....	Inner Bearing Sleeve.....	Ø6.03x14.2mm.....	1
62.....	F005673.....	Socket Head Cap Screw .....	M4x27 .....	2
63.....	TS-1501081.....	Socket Head Cap Screw .....	M4x30 .....	2
64.....	TS-1550021.....	Flat Washer .....	M4 .....	8
65.....	TS-1550041.....	Flat Washer .....	M6 .....	2
66.....	F005672.....	Socket Head Cap Screw .....	M4x24 .....	2

**Stand (OPTIONAL) for JWSS-18B Scroll Saw – Exploded View**



**Stand (OPTIONAL) for JWSS-18B Scroll Saw – Parts List**

Index No	Part No	Description	Size	Qty
.....	727300S	Stand for Scroll Saw (#1 thru 10)		.....
1.....	TS-0051051	Hex Cap Screw	5/16"-18 x 1"	.....4
2.....	TS-0680031	Flat Washer	5/16"	.....32
3.....	JWSS22B-103	Top Short Brace	14-1/2"L	.....2

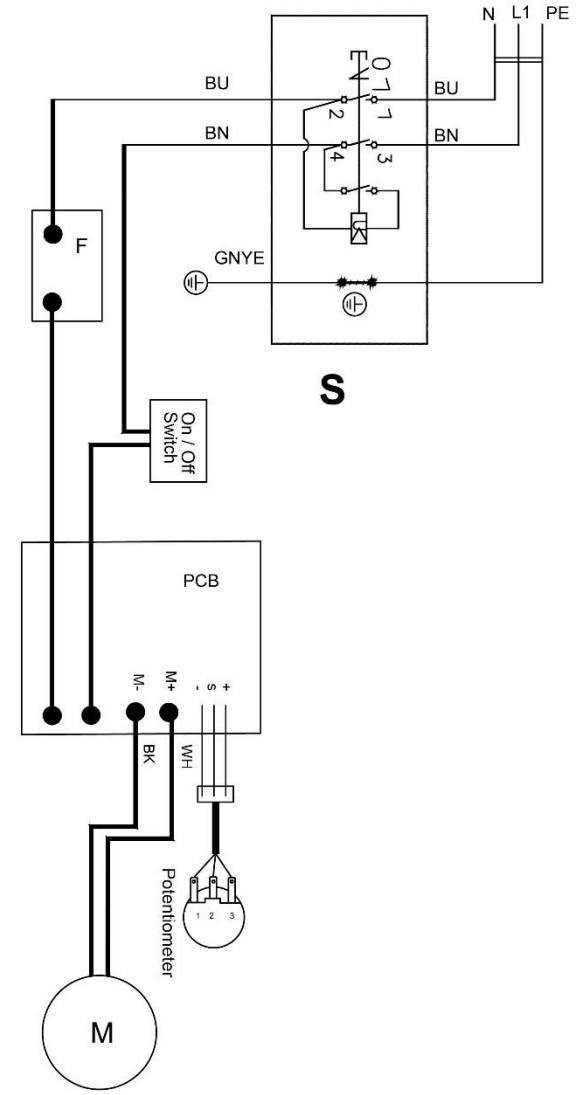
4.....	JWSS18B-104.....	Top Long Brace.....	16-5/8" L.....	2
5.....	JWSS22B-105.....	Leg.....		4
6.....	TS-0570021.....	Hex Nut.....	5/16"-18.....	28
7.....	JWSS22B-107.....	Bottom Short Brace.....	19-3/8" L.....	2
8.....	JWSS22B-108.....	Bottom Long Brace.....	21-1/2" L.....	2
9.....	JWSS22B-109.....	Round Hd. Carriage Bolt, b.oxide.....	5/16"-18 x 1/2".....	24
10.....	JWSS22B-110.....	Leg Extension.....		4
11.....	JWSS22B-111.....	Rubber washer (included with saw hardware).....		4
	JWSS22B-SHK.....	Stand Hardware Kit (#1,2,6,9).....		

# JWSS-18B..727300BM....1~230V,50Hz

F	fuse	Sicherung	fusible
RS	reversing switch	Drehrichtungsschalter	commu. droite/gauche

	colour of strands	Litzenfarben	couleur des cordons
BK	black	schwarz	noir
WH	white	weiß	blanc
BU	blue	blau	bleu
YE	yellow	gelb	jaune
RD	red	rot	rouge
BN	brown	braun	brun
GY	grey	grau	gris
GNYE	green-yellow	grün-gelb	vert-jaune
OG	orange	orange	orange
VT	violet	violett	violet

	meaning of symbol	Bedeutung der Zeichen	interprétation
M	motor	Motor	moteur
S	switch	Schalter	interrupteur
C	condenser	Kondensator	condensateur
E	electronic unit	Elektronik Einheit	unité électronique





CS	centrifugal switch	Fliehkraftschalter	déclencheur centrifuge
OL	overload cut-off	Überlastschuttschalter	déclencheur surcharge
LS	limit switch	Positionsendschalter	micro