

J E T

AFS-500

AIR FILTRATION SYSTEM

708611M

230/50/1

**PARTS LIST
ERSATZTEILLISTE
LISTE DE PIECES**

WMH Tool Group AG

Bahnstrasse 24, CH – 8603 Schwerzenbach

www.wmhtoolgroup.ch; info@wmhtoolgroup.ch

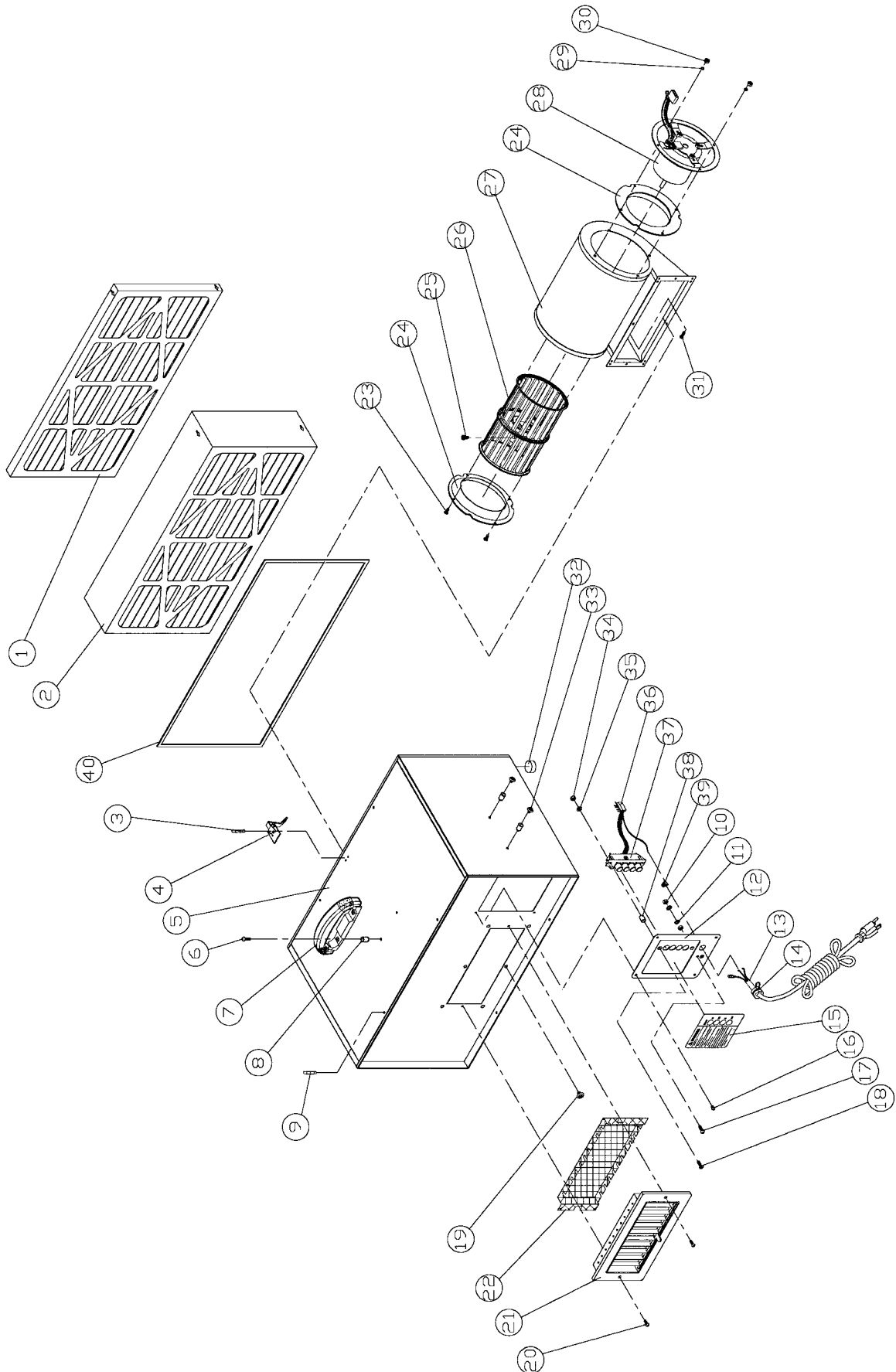
Tel +41 (0) 1 806 47 48

Fax +41 (0) 1 806 47 58



P-708611M 02/03

Parts Breakdown



Parts List for the AFS-500 Air Filtration

Index No.	Part No.	Description	Size	Qty.
1	708731	Outer Filter		1
2	709737	Inner Filter		1
3	BT000042	Rivet		4
4	AB001008	Door Clip Set		2
5	AB001113W	Air Box		1
6	SP059300	Pan Head Bolt	M5x12	2
7	OO1063	Handle		1
8	OO1070	Nut	M5	4
9	BR000041	Rivet		8
10	NH050800	Nut	M5	2
11	WE050000	Star Washer	M5	2
12	OO1064W	Switch Plate		1
13	IC001001E	Cord	18AWG	1
14	998623E	Strain Relief		1
15	LM001001E	I.D. Label		1
16	SP049100	Pan Head Bolt	M4x6	4
17	SP059300	Pan Head Bolt	M5x12	1
18	SN040400	Counter Sunk Bolt	M4x20	2
19	SF069200	Pan Head Bolt w/Flange	M6x8	6
20	SP049300	Pan Head Bolt	M4x12	2
21	AB001024	Exhaust Plate Set		1
22	OO1021	Safety Net		1
23	SF049200	Pan Head Bolt w/Flange	M4x8	4
24	OO1015	Air Guide Plate		2
25	SR060200	Hex Socket Bolt	M6x10	1
26	OO1014	Fan Blade		1
27	AB001010	Fan Housing		1
28	AB001019E	Motor		1
29	WS040000	Spring Washer	M4	4
30	NH040700	Nut	M4	4
31	SP049300	Pan Head Bolt	M4x12	4
32	330074	Pad		8
33	SF059200	Pan Head Bolt w/Flange	M5x8	2
34	NH040700	Nut	M4	2
35	WF041008	Washer	M4x10	2
36	OO1065	Switch Wire w/Terminal	18AWG	1
37	OO1066	Switch		1
38	OO1069	Sleeve		2
39	990638	Wiring Nut		1
40	OO1068	Gasket		1
	OO1045	Color Stripe (not shown)		1
	LM000280	JET Air Filtration Logo (not shown: side of cabinet)		1

Replacement Filters:

..... 709737	Inner Filter
..... 708731	Electrostatic Filter (Outer Filter)
..... 708734	Charcoal Filter (Outer Filter)
..... 708732	Washable Electrostatic Filter (Outer Filter)

AFS-500 708611M

230/50/1

	colour of strands	Litzenfarben	couleur des cordons
BK	black	schwarz	noir
WH	white	weiß	blanc
BU	blue	blau	bleu
YE	yellow	gelb	jaune
RD	red	rot	rouge
BN	brown	braun	brun
GY	grey	grau	gris
GNYE	green-yellow	grün-gelb	vert-jaune
OG	orange	orange	orange
VT	violet	violett	violet

	meaning of symbol	Bedeutung der Zeichen	interprétation
M	motor	Motor	moteur
S	switch	Schalter	interrupteur
C	condenser	Kondensator	condensateur
E	electronic unit	Elektronik Einheit	unité électronique
F	fuse	Sicherung	fusible
RS	reversing switch	Drehrichtungsschalter	commu. droite/gauche
CS	centrifugal switch	Fliehkraftschalter	déclencheur centrifuge
OL	overload cut-off	Überlastschuttschalter	déclencheur surcharge
LS	limit switch	Positionsendschalter	micro

