

JET

JMS-8L

8" Compound Mitre Saw

10000819M ~230V 50/60Hz

PARTS LIST

Walter Meier (TOOL) AG

Tämperlistrasse 5

CH-8117 Fällanden

Switzerland

Phone +41 44 806 47 48

Fax +41 44 806 47 58

jetinfo.eu@waltermeier.com

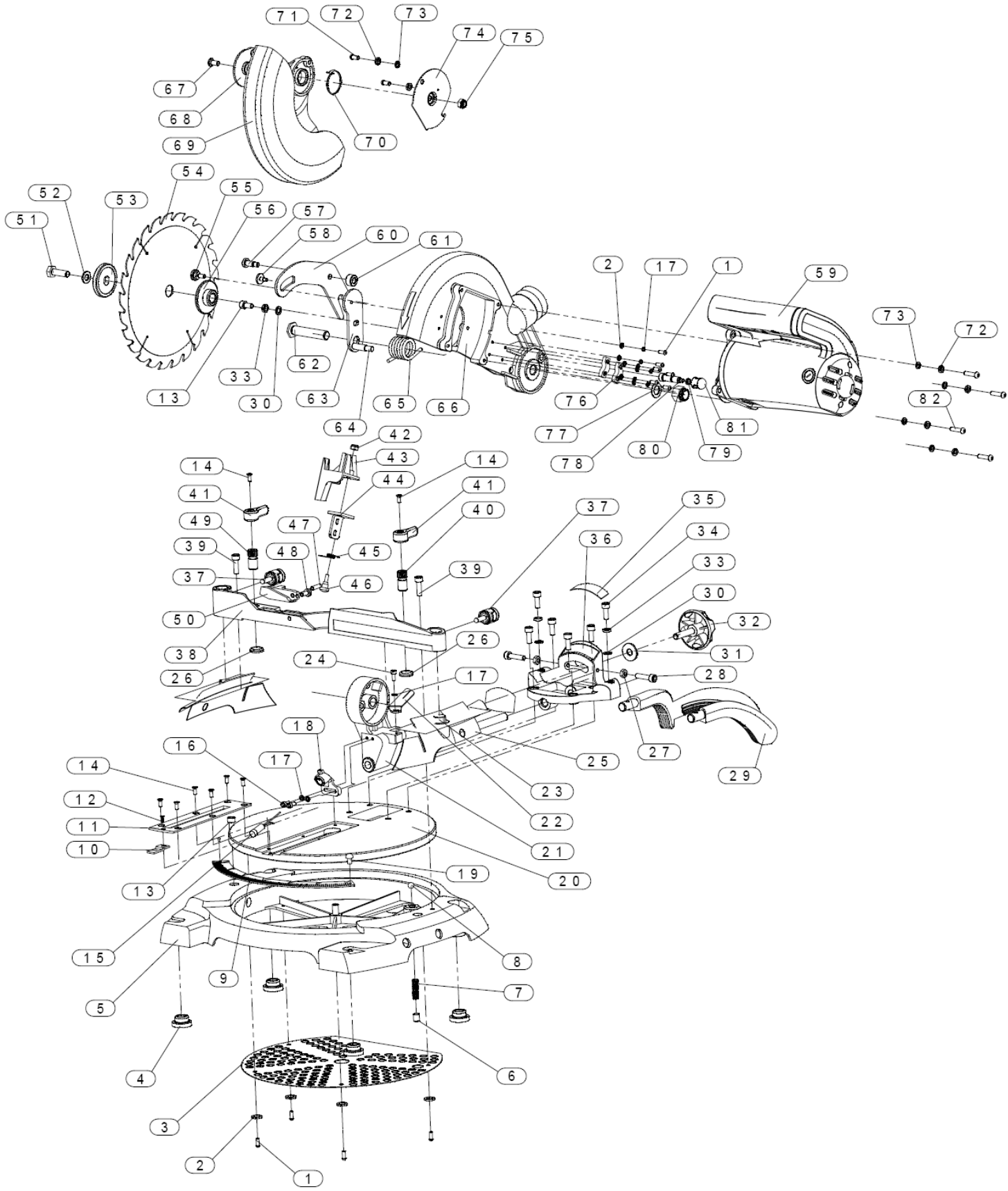
www.jettools.com



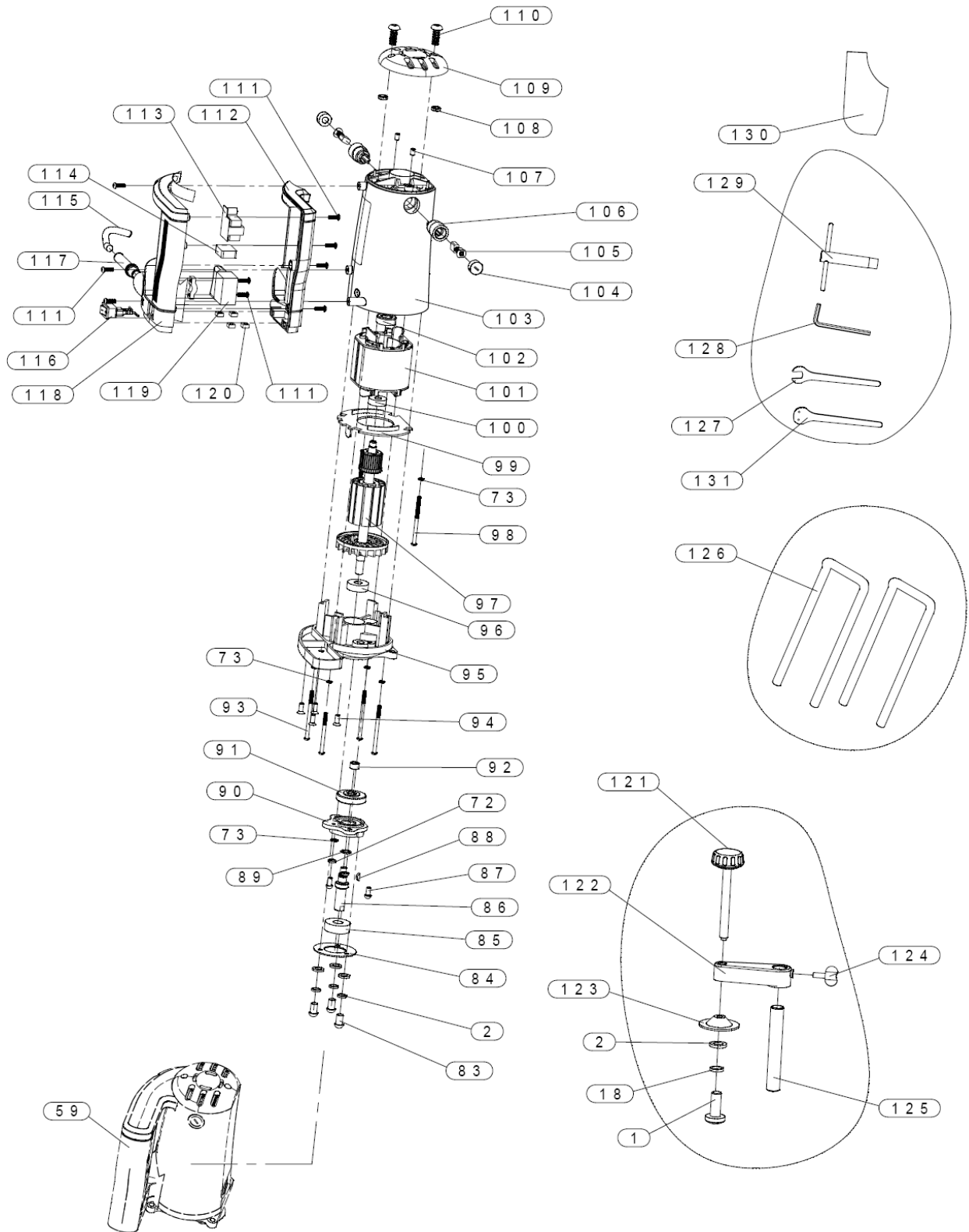
P-10000819M

2013-03

Parts Breakdown For JMS-8L 8" Compound Mitre Saw



Parts Breakdown For JMS-8L 8" Compound Mitre Saw



Parts List For JMS-8L 8" Compound Miter Saw

Index No.	Part No.	Description	Size	Qty.
1	JMS8L-001	Screw	M4X10	9
2	JMS8L-002	Washer		8
3	JMS8L-003	Base bottom cover		1
4	JMS8L-004	Rubber foot		4
5	JMS8L-005	Base		1
6	JMS8L-006	Set Screw	M10X10	1
7	JMS8L-007	Spring		1
8	JMS8L-008	Ball	φ 8	1
9	JMS8L-009	Scale		1
10	JMS8L-010	Pointer		1
11	JMS8L-011	Table insert		1
12	JMS8L-012	Set Screw	M3x8	1
13	JMS8L-013	Cap Screw	M6x12	3
14	JMS8L-014	Set Screw	M4x6	8
15	JMS8L-015	Laser		1
16	JMS8L-016	Cap screw	M4x10	2
17	JMS8L-017	Spring Washer	4	8
18	JMS8L-018	Laser holder		1
19	JMS8L-019	Clinch Bolt	2x3	2
20	JMS8L-020	Table		1
21	JMS8L-021	Angle Support		1
22	JMS8L-022	Angle Scale		1
23	JMS8L-023	Guide Base Cap		1
24	JMS8L-024	Cap Screw	M4x10	1
25	JMS8L-025	Shaft		1
26	JMS8L-026	Locking Washer		1
27	JMS8L-027	Hex. nut	M6	2
28	JMS8L-028	Cap Screw	M6x20	2
29	JMS8L-029	Rear Handle		1
30	JMS8L-030	Washer	6	3
31	JMS8L-031	Washer	8	1
32	JMS8L-032	Locking Knob		1
33	JMS8L-033	Washer	6	3
34	JMS8L-034	Cap Screw	M6x16	6
35	JMS8L-035	Scale		1
36	JMS8L-036	Angle Base		1
37	JMS8L-037	Knob		2
38	JMS8L-038	Guide Fence		1
39	JMS8L-039	Cap Screw	M6x30	2
40	JMS8L-040	Locking Bolt -L		1
41	JMS8L-041	Knob		2
42	JMS8L-042	Set Nut	M4	1
43	JMS8L-043	Bracket		1
44	JMS8L-044	Bracket Washer		1
45	JMS8L-045	Spring		1
46	JMS8L-046	Screw		1
47	JMS8L-047	Pin	5x8	1
48	JMS8L-048	Screw		1
49	JMS8L-049	Locking Bolt---R		1
50	JMS8L-050	Fence		2
51	JMS8L-051	Hex. Bolt	M8x20-LH	1
52	JMS8L-052	Washer	8	1
53	JMS8L-053	Outside Collar-blade Set		1
54	JMS8L-054	Blade		1
55	JMS8L-055	Screw-A		1
56	JMS8L-056	Inside Collar-blade Set		1

Index No.	Part No.	Description	Size	Qty.
57	JMS8L-057	Screw-B		1
58	JMS8L-058	Clinch Bolt		1
59	JMS8L-059	Motor Assembly		1
60	JMS8L-060	Lever		1
61	JMS8L-061	Washer-B		1
62	JMS8L-062	Pin		1
63	JMS8L-063	Fix Plate		1
64	JMS8L-064	Screw		1
65	JMS8L-065	Spring		1
66	JMS8L-066	Upper Blade Guard		1
67	JMS8L-067	Bolt		1
68	JMS8L-068	Guard Fixed Plate A		1
69	JMS8L-069	Lower Blade Guard		1
70	JMS8L-070	Torsional Spring		1
71	JMS8L-071	Screw	M5x10	2
72	JMS8L-072	Spring Washer	5	8
73	JMS8L-073	Washer	5	8
74	JMS8L-074	Guard Fixed Plate B		1
75	JMS8L-075	Locking Nut	M6	1
76	JMS8L-076	Clamp		2
77	JMS8L-077	Washer	12	1
78	JMS8L-078	Pin		1
79	JMS8L-079	Packing Ring		1
80	JMS8L-080	Locking Nut	M12	1
81	JMS8L-081	Knob		1
82	JMS8L-082	Screw	M5x20	4
83	JMS8L-083	Screw	M4x6	3
84	JMS8L-084	Bearing Cap		1
85	JMS8L-085	Bearing	6201-2Z	1
86	JMS8L-086	Shaft		1
87	JMS8L-087	Screw	M5X16	2
88	JMS8L-088	Key	A3X8	1
89	JMS8L-089	C-Ring	10	1
90	JMS8L-090	Cover		1
91	JMS8L-091	Gear	M4X6	3
92	JMS8L-092	Bearing		1
93	JMS8L-093	Screw	M4X44	4
94	JMS8L-094	Screw	M5x12	4
95	JMS8L-095	Front Cover		1
96	JMS8L-096	Bearing	610-2Z	1
97	JMS8L-097	Armature		1
98	JMS8L-098	Screw	M4x65	2
99	JMS8L-099	Wind Screen		1
100	JMS8L-100	Bearing	608-2Z	1
101	JMS8L-101	Stator		1
102	JMS8L-102	Rubber Ring		1
103	JMS8L-103	Motor Housing		1
104	JMS8L-104	Brush Holder Cover		2
105	JMS8L-105	Carbon Brush		2
106	JMS8L-106	Brush Holder		2
107	JMS8L-107	Set Screw	M5X8	2
108	JMS8L-108	Magnet loop		1
109	JMS8L-109	Motor Rear Cover		1
110	JMS8L-110	Screw	ST4.2x8	2

Index No.	Part No.	Description	Size	Qty.
111	JMS8L-111	Screw	ST4.2x12	9
112	JMS8L-112	Handle Bottom Cover		1
113	JMS8L-113	Transformer		1
114	JMS8L-114	Capacitor	0.33uF 275VAC	1
115	JMS8L-115	Power Cable		1
116	JMS8L-116	Laser Swich		1
117	JMS8L-117	Cable Guard		1
118	JMS8L-118	Handle Upper Cover		1
119	JMS8L-119	Swich		1
120	JMS8L-120	Square Nut	M5	4
121	JMS8L-121	Press Screw		1
122	JMS8L-122	Link Rod		1
123	JMS8L-123	Clamp plate		1
124	JMS8L-124	Knob		1
125	JMS8L-125	Shaft		1
126	JMS8L-126	Workpiece Support		2
127	JMS8L-127	Wrench-A		1
128	JMS8L-128	Hex Wrench		1
129	JMS8L-129	Key		1
130	JMS8L-130	Dust Bag		1
131	JMS8L-131	Wrench-B		1

Wiring Diagram for JMS-8L 8" Compound Miter Saw

10000819M..... ~ 230V, 50/60Hz

