



JSS-18

Scroll Saw

JR011 ~230V 50Hz

PARTS LIST

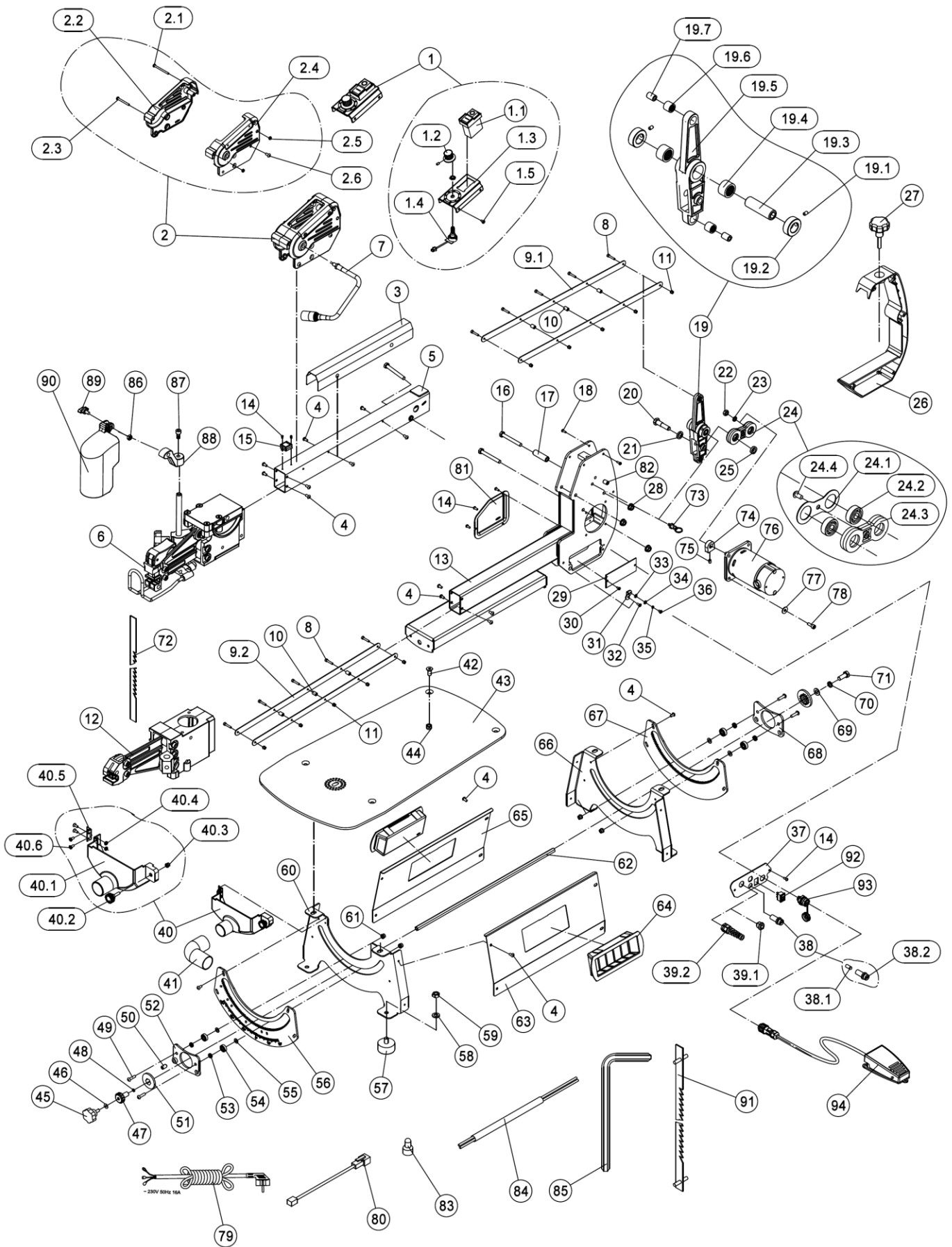


Импортер в РФ: ООО «ИТА Технолоджи»
105082, Москва, Переведеновский пер., д. 17
www.jettools.ru

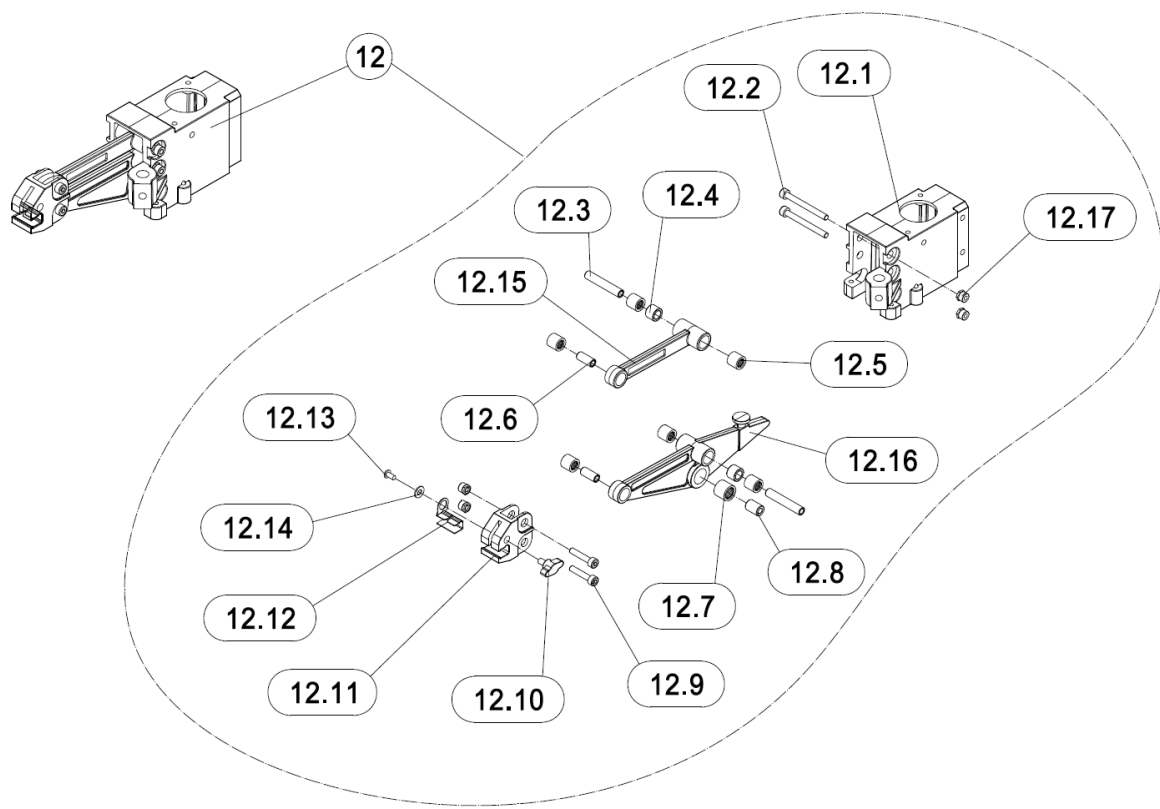
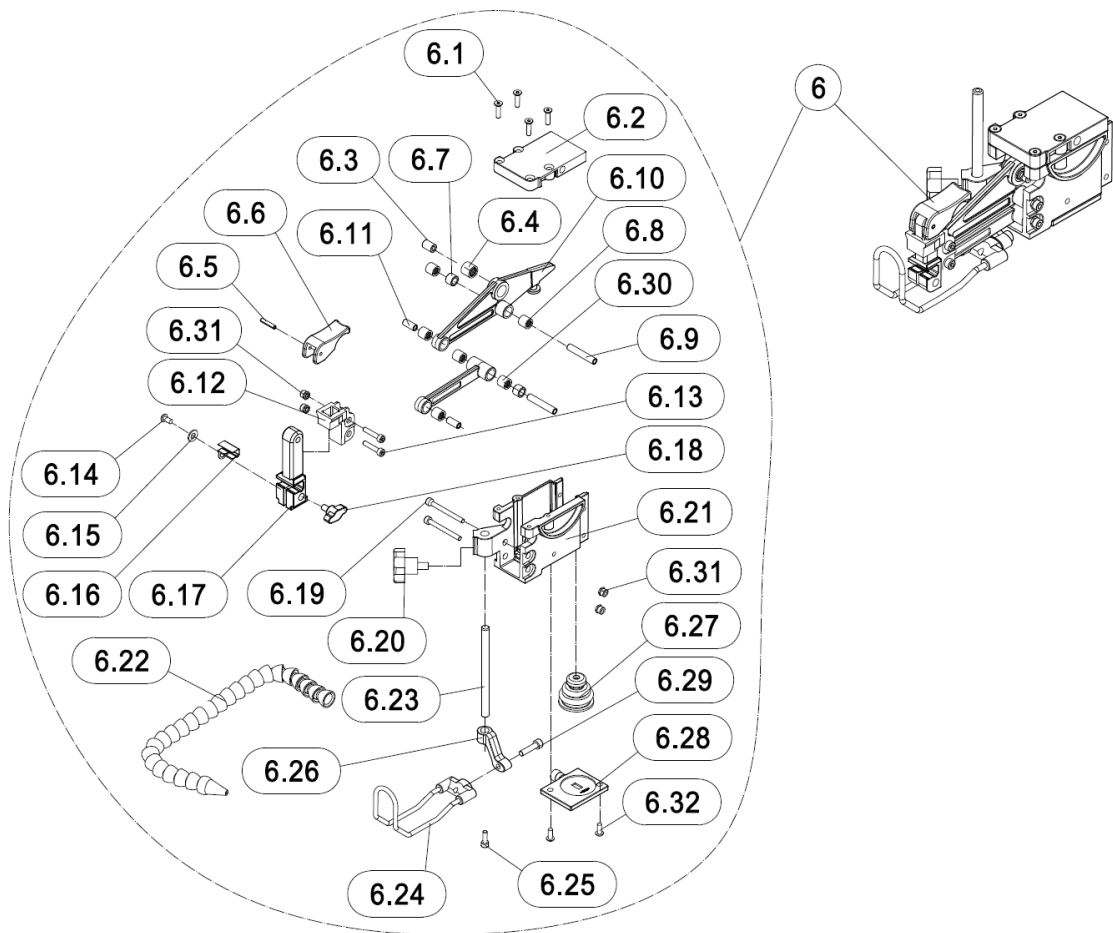
Made in PRC / Сделано в КНР

P-JR011 2025-06

Parts Breakdown for JSS-18 Scroll Saw



Parts Breakdown for JSS-18 Scroll Saw



Parts List for JSS-18 Scroll Saw

Index No.	Part No.	Description	Size	Qty
1	JSS22-001A	Control Panel Assembly		1
1.1	JSS22-001.1	Switch		1
1.2	JSS22-001.2	Speed Control Knob		1
1.3	JSS22-001.3	Switch Mounting Plate		1
1.4	JSS22-001.4	Speed Dial		1
1.5	JSS22-001.5	Self-Tapping Screw	ST4.2x9.5	4
2	JSS22-002A	Switch Box Assembly		1
2.1	JSS22-002.1	Pan Head Machine Screw	M4x25	2
2.2	TS-2284302	Left Cover		1
2.3	JSS22-002.3	Pan Head Machine Screw	M4x40	1
2.4	TS-2284302	Right Cover		1
2.5	JSS22-002.5	Hex Nut	M4	3
2.6	TS-1502021	Socket Head Cap Screw	M5x8	4
3	JSS18-003	Top Cover Plate		1
4	TS-1502021	Socket Head Cap Screw	M5x8	28
5	JSS18-005	Upper Arm		1
6	JSS22-006A	Upper Bracket Assembly		1
6.1	TS-2284201	Flat Head Machine Screw	M4X20	4
6.2	JSS22-006.2	Bracket Cover		1
6.3	JSS22-006.3	Bushing		1
6.4	JSS22-006.4	Needle Bearing	HK0810	1
6.5	JSS22-006.5	Spring Pin	3X18mm	1
6.6	JSS22-006.6	Blade Tension Handle		1
6.7	JSS22-006.7	Bushing		2
6.8	JSS22-006.8	Needle Bearing HK00609		6
6.9	JSS22-006.9	Bushing		2
6.10	JSS22-00610	Rocker Arm		1
6.11	JSS22-006.11	Bushing		2
6.12	JSS22-006.12	Clamp Bracket		1
6.13	TS-1501061	Socket Head Cap Screw	M4X20	2
6.14	TS-1503021	Socket Head Cap Screw	M6X10	1
6.15	TS-1550041	Flat Washer	6mm	1
6.16	JSS22-006.16	V-Notch Plate		1
6.17	JSS22-006.17	Blade Mounting Block		1
6.18	JSS22-006.18	Wing Screw	M6X10	1
6.19	JSS22-006.19	Socket Head Cap Screw	M4X40	2
6.20	JSS22-006.20	Lock Knob		1
6.21	JSS22-006.21	Upper Bracket		1
6.22	JSS22-006.22	Air Nozzle		1
6.23	JSS22-006.23	Hold-Down Rod		1
6.24	JSS22-006.24	Hold-Down Shoe		1
6.25	TS-1501041	Socket Head Cap Screw	M4X12	1
6.26	JSS22-006.26	Connecting Base		1
6.27	JSS22-006.27	Bellows		1
6.28	JSS22-006.28	Nozzle Base		1
6.29	TS-1502051	Socket Head Cap Screw	M5X20	1
6.30	JSS22-006.30	Strut		1
6.31	TS-1541001	Lock Nut	M4	4
6.32	TS-2244102	Socket Head Button Screw	M4X10	2
7	JSS22-007	LED Light		1
8	TS-1501061	Socket Head Cap Screw	M4X20	2
9.1	JSS18-009.1	Upper link plate		2
9.2	JSS18-009.2	Lower link plate		2

Parts List for JSS-18 Scroll Saw

Index No.	Part No.	Description	Size	Qty
10	JSS22-010	Plastic Bushing		6
11	TS-1541001	Lock Nut	M4	10
12	JSS22-012A	Lower Bracket Assembly		1
12.1	JSS22-012.1	Lower Bracket		1
12.2	JSS22-006.19	Socket Head Cap Screw	M4X40	2
12.3	JSS22-012.3	Bushing		2
12.4	JSS22-012.4	Bushing		2
12.5	JSS22-012.5	Needle Bearing	HK0609	6
12.6	JSS22-012.6	Bushing		2
12.7	JSS22-012.7	Needle Bearing	HK0810	1
12.8	JSS22-012.8	Bushing		1
12.9	TS-1501061	Socket Head Cap Screw	M4X20	2
12.10	JSS22-012.10	Wing Screw	M6x10	1
12.11	JSS22-012.11	Lower Blade Mounting Bracket		1
12.12	JSS22-012.12	Lower V-Notch Plate		1
12.13	TS-1503021	Socket Head Cap Screw	M6x10	1
12.14	TS-1550041	Flat Washer	6mm	1
12.15	JSS22-012.15	Strut		1
12.16	JSS22-012.16	Rocker Arm		1
12.17	TS-1541001	Lock Nut	M4	4
13	JSS18-013	Frame		1
14	TS-1501031	Socket Head Cap Screw	M4x10	7
15	JSS22-015	Led Driver		1
16	JSS22-016	Hex Cap Screw	M8X65	3
17	JSS22-017	Spacer Pipe		1
18	JSS22-018	Self -Tapping Screw		10
19	JSS22-019A	Rocker Cam Assembly		2
19.1	TS-1524011	Socket Set Screw	M6X8	2
19.2	JSS22-019.2	Limit Collar		2
19.3	JSS22-019.3	Shaft		1
19.4	JSS22-019.4	Needle Bearing	HK1412	2
19.5	JSS22-019.5	Rocker Cam		1
19.6	JSS22-019.6	Needle Bearing	HK0810	2
19.7	JSS22-019.7	Bushing		2
20	JSS22-20	Screw		1
21	TS-2361101	Lock Washer	10mm	1
22	JSS22-022	Left Thread Hex Nut	M8	1
23	TS-2361081	Lock Washer	8mm	1
24	JSS22-024A	Motor Cam Assembly		1
24.1	JSS22-024.1	Cover Plate		1
24.2	JSS22-024.2	Ball Bearing	628-2RS	2
24.3	JSS22-024.3	Motor Cam		1
24.4	TS-1502021	Socket Head Cap Screw	M5x10	1
25	JSS22-025	Spacer		1
26	JSS22-026	Real Cover		1
27	JSS22-027	Arm Adjusting Knob		1
28	JSS22-028	Flange Nut	M8	3
29	JSS22-029	Motor Driver		1
30	JSS22-030	Self-Tapping Screw		2
31	JSS22-031	Grounding Plate		1
32	TS-2284121	Flat Head Machine Screw	M4x12	1
33	JSS22-033	Serrated Washer	4mm	1
34	TS-1550021	Flat Washer	4mm	1
35	TS-2361041	Lock Washer	4mm	1

Parts List for JSS-18 Scroll Saw

Index No.	Part No.	Description	Size	Qty
36	TS-2284082	Pan Head Machine Screw	M4x8	1
37	JSS22-037	Cover		1
38	JSS22-038A	Fuse Assembly (Include #38.1, #38.2)		1
38.1	JSS22-038.1	Fuse Holder		1
38.2	JSS22-038.2	Fuse		1
39.1	JSS22-039.1	Strain Relief		1
39.2	JSS22-039.2	Strain Relief M16		1
40	JSS22-040A	Lower Guard Assembly		1
40.1	JSS22-040.1	Lower Guard		1
40.2	JSS22-040.2	Knob Screw		1
40.3	TS-1541011	Lock Nut	M5	1
40.4	TS-1540021	Hex Nut	M4	2
40.5	JSS22-040.3	Hinge		1
40.6	TS-2284121	Flat Head Machine Screw	M4x12	4
41	JSS22-041	L Hose Fitting		1
42	JSS22-042	Flat Head Machine Screw	M8x20	4
43	JSS18-043	Table		1
44	TS-1541031	Lock Nut	M8	4
45	JSS22-045	Tilting Lock Knob		1
46	TS-1550061	Flat Washer	8mm	1
47	JSS22-047	Tilting Adjust Knob		1
48	JSS22-048	Rubber Ring		1
49	TS-1503061	Socket Head Cap Screw	M6X25	4
50	JSS22-050	Set Screw		1
51	JSS22-051	Gear		2
52	JSS22-052	Front Bearing Support Plate		1
53	TS-1550041	Flat Washer	6mm	4
54	BB606	Ball Bearing 606-2RS		4
55	JSS22-055	Washer		4
56	JSS18-056	Front Trunnion Plate		1
57	JSS22-057	Rubber Foot		4
58	TS-1550061	Flat Washer	8mm	4
59	TS-2311081	Hex Nut	M8	4
60	JSS18-060	Front Support Plate		1
61	TS-1541021	Lock Nut	M6	4
62	JSS18-062	Tilt Rod		1
63	JSS18-063	Right Side Cover		1
64	JSS22-064	Tool Storage Box		2
65	JSS18-065	Left Side Cover		1
66	JSS18-066	Rear Support Plate		1
67	JSS18-067	Rear Trunnion Plate		1
68	JSS22-068	Rear Bearing Support Plate		1
69	TS-1550061	Flat Washer	8mm	1
70	TS-2361081	Lock Washer	8mm	1
71	TS-2208201	Hex Cap Crew	M8x20	1
72	JSS22-072	Pin-End Blade (with Pin)		1
73	JSS22-073	Quick Release Pin		1
74	JSS22-074	Balance Block		1
75	TS-1523031	Socket Set Screw	M6x10	1
76	JSS22-076	Motor		1
77	TS-1550041	Flat Washer	6mm	4
78	TS-1503041	Socket Head Cap Screw	M6x16	4
79	JSS22-079	Power Cord		1
80	JSS22-080	Inner Cable with Connector		1

Parts List for JSS-18 Scroll Saw

Index No.	Part No.	Description	Size	Q'ty
81	JSS22-081	Plastic Cover		1
82	JSS22-082	Nylon Set Screw		2
83	JSS22-083	Terminal		2
84	JSS18-084	Inner Cable		1
85	JSS22-085	Hex Wrench	4mm	1
86	TS-1540031	Hex Nut	M5	1
87	TS-1501041	Socket Head Cap Screw	M4x12	1
88	JSS22-088	Upper Guard Support		1
89	JSS22-089	Wing Screw	M5x20	1
90	JSS22-090	Upper Guard		1
91	JSS22-091	Pin-Less Blade		1
92	JSS22-092	Rocker switch		1
93	JSS22-093	Plug connector		1
94	JSS22-094	Foot pedal switch assembly (Optional)		1
	JSS18-ID	JET ID Label (Not shown)		1
	JSS22-ML	JET Motor Label (Not shown)		1
	JET-LOGO	JET LOGO with Adhesive (Not shown)		1
	Model LOGO	Model LOGO with Adhesive		1
	JSS22-WL	Warning Label (Not shown)		1

Wiring Diagram for JSS-18 Scroll Saw

	colour of strands	Litzenfarben	couleur des cordons
BK	black	schwarz	noir
WH	white	weiß	blanc
BU	blue	blau	bleu
YE	yellow	gelb	jaune
RD	red	rot	rouge
BN	brown	braun	brun
GY	grey	grau	gris
GNYE	green-yellow	grün-gelb	vert-jaune
OG	orange	orange	orange
VT	violet	violett	violet

	meaning of symbol	Bedeutung der Zeichen	interprétation
M	motor	Motor	moteur
S	switch	Schalter	interrupteur
C	condenser	Kondensator	condensateur
E	electronic unit	Elektronik Einheit	unité électronique
F	fuse	Sicherung	fusible
RS	reversing switch	Drehrichtungsschalter	commu. droite/gauche
CS	centrifugal switch	Fliehkraftschalter	déclencheur centrifuge
OL	overload cut-off	Überlastschuttschalter	déclencheur surcharge
L	machine lamp	Maschinenleuchte	lampe
LS	limit switch	Positionsendschalter	micro

Wiring Diagram for JSS-18 Scroll Saw

JR011..... ~ 230V, 50Hz

